

BRUNNER FIREPLACES



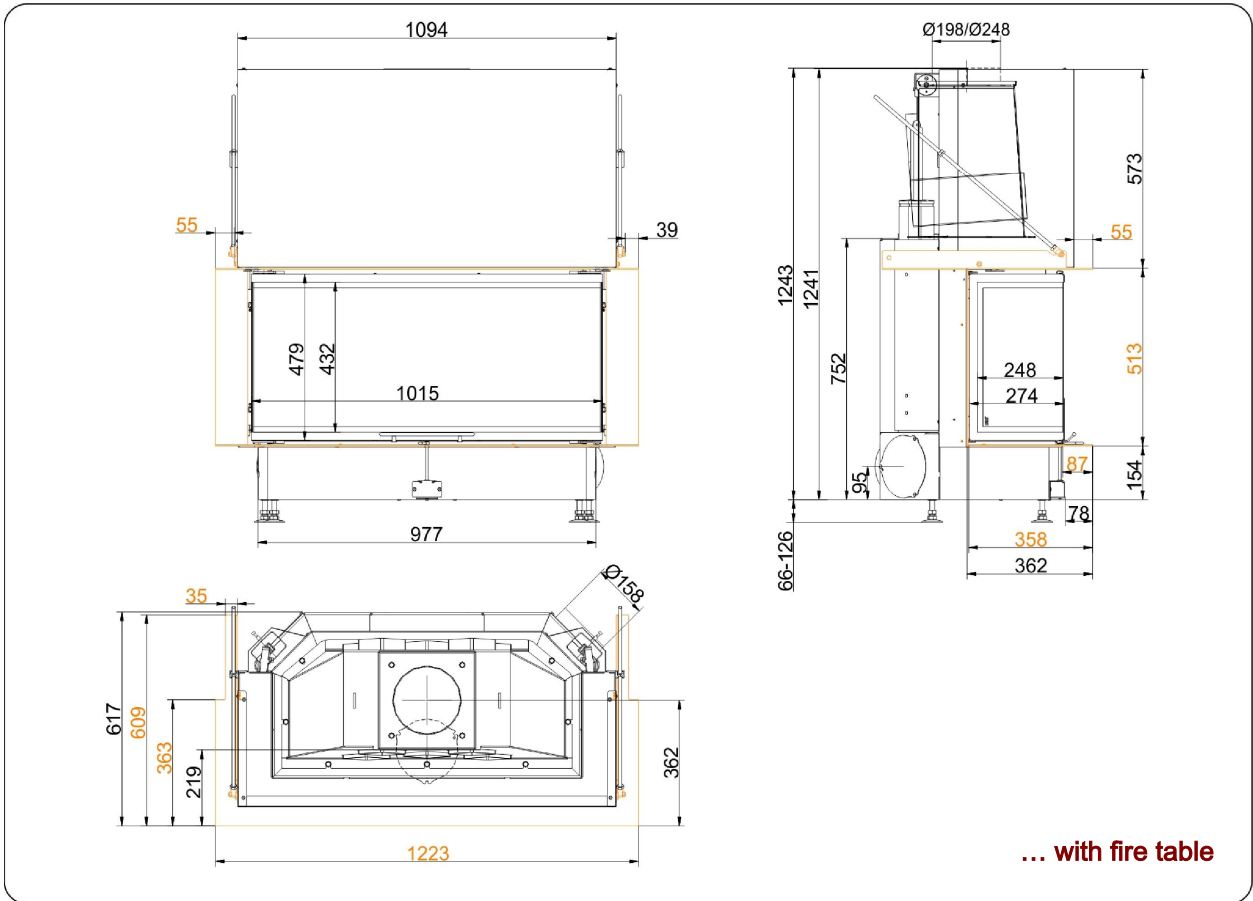
Panorama-Kamin Tunnel 57/2 lifting doors (easy-lift)

State: 23.05.2017



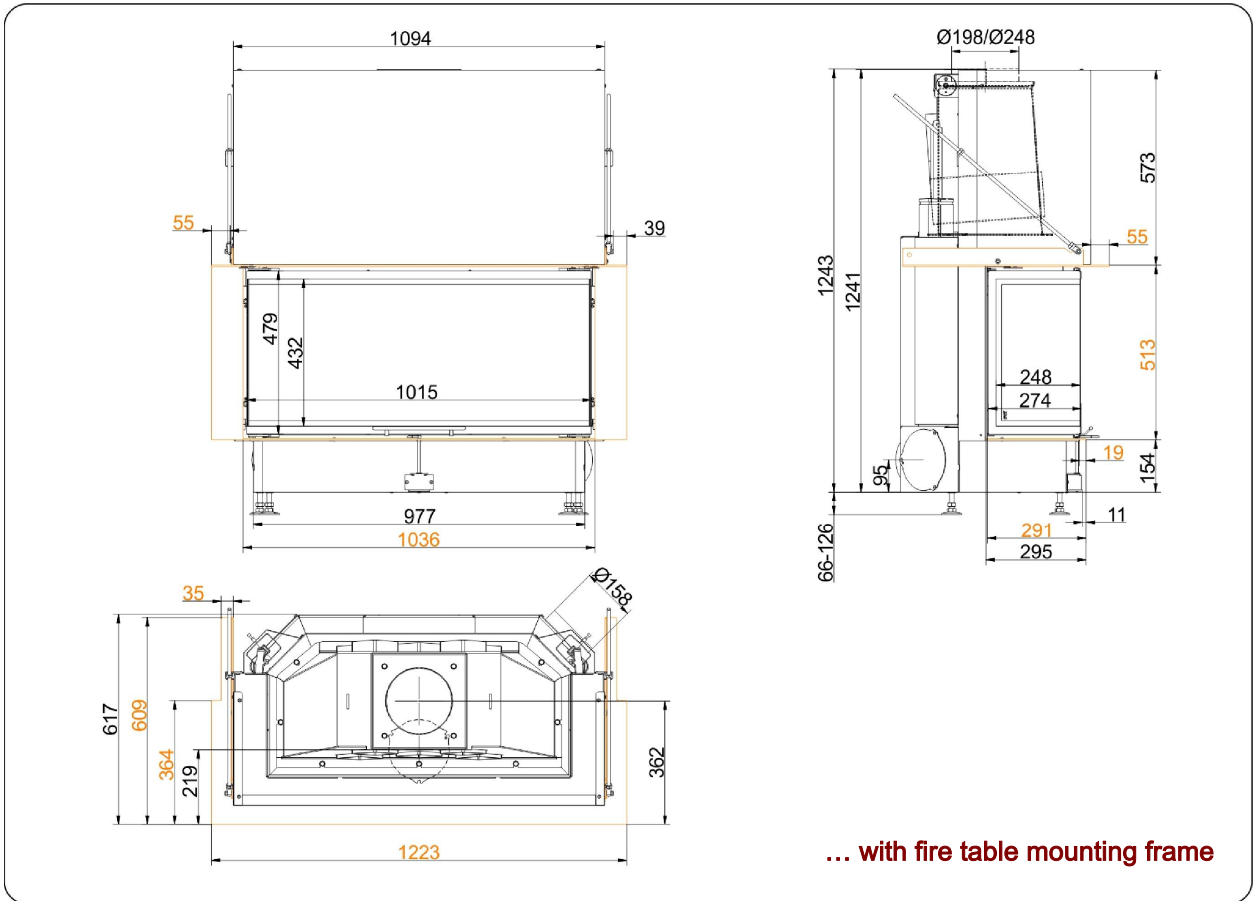
BRUNNER[®]
made in germany

Dimension sheet | **Panorama-Kamin Tunnel 57/25/85/25 lifting doors (easy-lift)**



We suggest for CAD planing Palette CAD. Permanent updated drawings: www.brunner.de
 Frames / front versions are marked colored.

Dimension sheet | **Panorama-Kamin Tunnel 57/25/85/25 lifting doors (easy-lift)**



We suggest for CAD planing Palette CAD. Permanent updated drawings: www.brunner.de
 Frames / front versions are marked colored.

Planning and installation

Panorama-Kamin Tunnel 57/25/85/25

Tested according to	EN 13229 W	EN 13229 W
Values measured at	rated heat power	open door
Suitable for all construction types according to rules	OK	OK

Data for functional demonstration

Rated heat power	kW	13,5	-
Firewood consumption	kg/h	4,3	4,0
Combustion performance	kW	16	16
Flue gas mass flow	g/s	14	100
Outlet temperature (before heating surface)	°C	-	-
Flue gas temperature after			
attached steel smoke hood	°C	210	135
adjoining cast iron radiator (GNF10)	°C	-	-
accumulation rings (MAS) ¹⁾	°C	-	-
adjoining ceramic accumulator ²⁾	°C	-	-
accumulation stones (MSS)	°C	-	-
water boiler	°C	-	-
Necessary supply pressure	Pa	12	8
Combustion air consumption	m ³ /h	45	260
Combustion air connection Ø	mm	160	160

Heat distribution

Insert / heating surface	%	50 / -	50 / -
Glass (single / double)	%	50 / -	50 / -
Boiler	%	-	-

Vent cross-section ⁴⁾

Supply air	cm ²	1000 / - / -	1000 / - / -
Warm air	cm ²	1000 / - / -	1000 / - / -

Minimal oven surface for closed construction type

Surface giving off heat	m ²	4,2	-
-------------------------	----------------	-----	---

Space inside oven chamber

Distance to oven chamber wall	cm	8	8
Distance to floor	cm	2	2

Heat insulation without / with ³⁾ air gratings

Wall	cm	16 / 12	16 / 12
Floor	cm	2 / 2	2 / 2
Ceiling	cm	25 / 18	25 / 18
Insulation of additional fire door DHT	cm	-	-
Brick lining of protected walls	cm	10	10

Weight

Fireplace + burning chamber	kg	234 + 31
-----------------------------	----	----------

meets requirement limit values for

Germany / Austria / Switzerland / Norway	- / - / - / -
--	---------------

- 1) Throttle flap recommended
- 2) Approximate value, must be calculated eventually
- 3) Values with air gratings, stove casing is heat conducting
- 4) for firebox / flue gas pipe / metallic reheating surface

Ulrich Brunner GmbH
 Zellhuber Ring 17 -18
 D-84307 Eggenfelden
 Phone: +49 / (0)87 21 / 7 71-0
 Fax: +49 / (0)87 21 / 7 71-100
 info@brunner.eu | www.brunner.eu



BRUNNER products are offered and sold only by qualified dealers and service centres.
 Subject to technical and assortment changes. Errors excepted. (05/17)